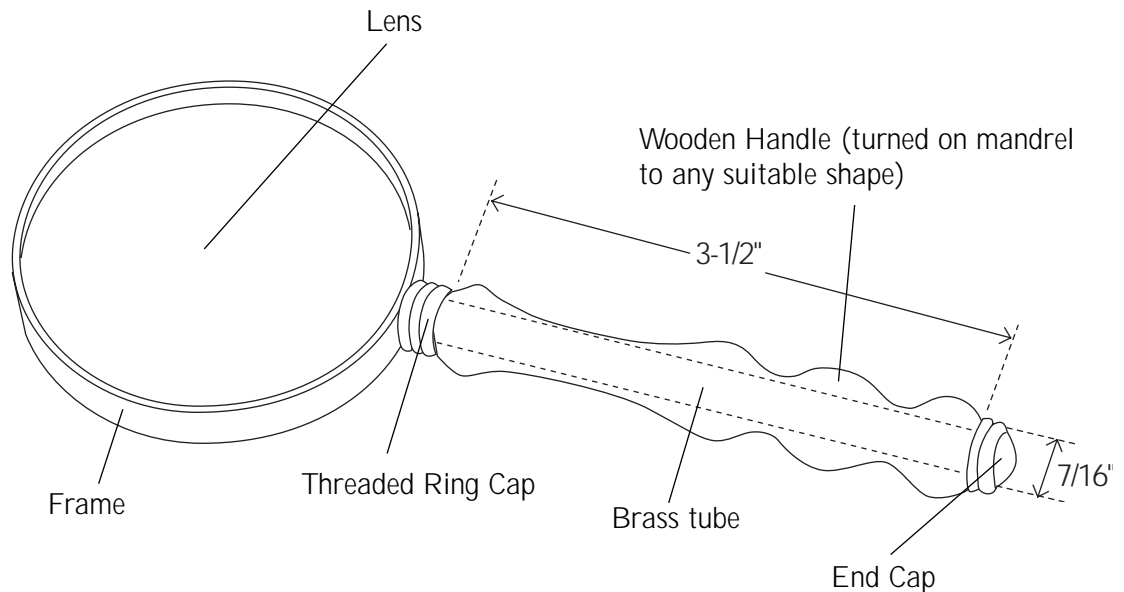


#PKMAG *Magnifying Glass Assembly Instructions*

Kit Features:

- Heavy, 24 kt gold plated parts. Includes components indicated in diagram
- 3-1/2" long inner brass tube.
- 2-1/2" diameter, high quality magnifying glass.
- Overall size: 6-5/8".
- Requires a 7mm, long mandrel
- Standard 7mm bushings.



Preparing, Cutting and Turning the Blank

1 Cut the wood to the starting size. The correct blank length is the tube size + 1/16". Diameter can be from 9/16"–1-1/2".

2 Drill a 7 mm hole through in the center of the blank.

3 Apply epoxy glue to the outside of the tube. Insert the tube into the blank with a twisting motion, (this will help spread the glue around). Center the tube inside the blank.

4 To assure a perfect fit, square the ends of the blank to 90° with a disc sander or a 7 mm barrel trimmer. (#PK-TRIM) Remove wood down to the actual length of the tube.

5 Mount the blank onto the mandrel. You don't need special bushings for this project, use your pen bushings for spacing only. When turning to your design, make the ends no smaller than 7/16" dia. Do not turn down to 7mm bushing diameter!

Note: Be sure to use wooden vise jaws for pressing the parts together, to prevent gold plating from scratching while assembling. protect the parts with a cloth.

Assembly

1 Press the end cap into the bottom end of the handle.

2 Press the threaded ring cap into the opposite end.

3 Position the glass in the groove inside the frame.

4 Secure the frame and lens assembly and screw the stud into the threaded ring cap on the handle. Be careful not to over tighten, it may cause damage to the glass.

5 Check to see that the glass is seated securely in the frame.