

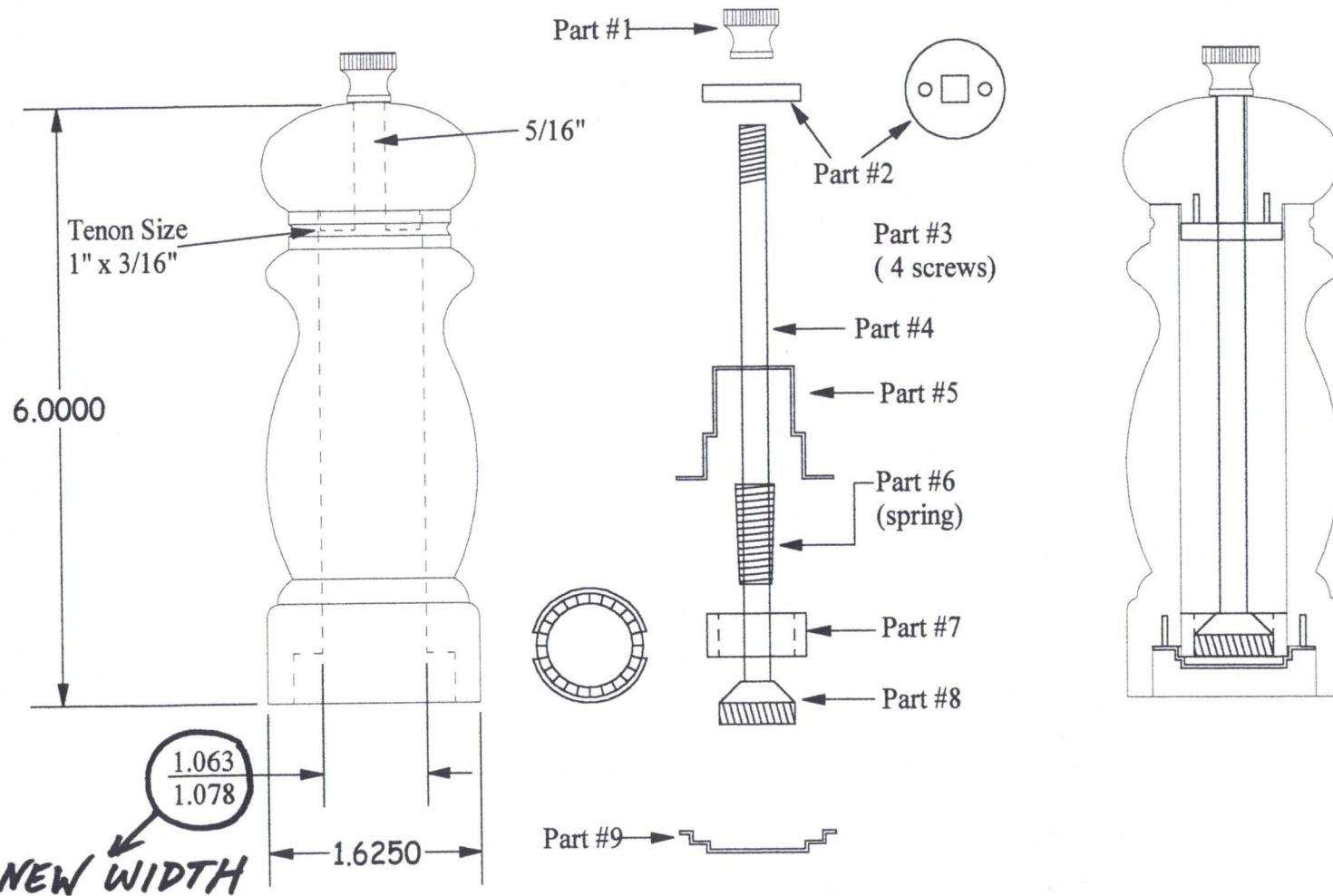
Instructions for Assembly

Pepper Mill

- 1) For easier assembly, bore holes as close as possible to the recommended sizes in diagram #1.
- 2) Assemble (part #2) with two screws (part #3) onto the iron located on the underside of the pepper mill top, making sure it centered over hole.
- 3) Turn the pepper mill base upside down, and secure it firmly into a stationary holder so it cannot move. If using a vice, put padding on the vice grips so the mill body is not scratched or gouged.
- 4) Insert (part#5) spring bar into the inner bore. Push down inside the body until ends of spring bar with holes are firmly against the body. Use a hole punch and punch two pilot holes (for screws) in the wood body through the two smaller holes on either end of the spring bar.
- 5) Insert (part#7) female gear into the spring bar (part#5), making sure the angle-cut on the inner circle of the gear is facing out. The two slots in the side of the female grinder will fit into the spring bar, lining up with the screw pilot holes.
- 6) Slide the male grinder (part #8) onto the threaded end of the shaft (part #4), making sure the smaller end of the male grinder with four flutes is up.
- 7) Slide the spring (part #6) onto the threaded end of the shaft (part #4), making sure the smaller diameter end of the spring goes first. Spring should slide down shaft until it is against male gear (part #8).
- 8) Insert the threaded end of shaft (with spring & male grinder attached) down through the female gear and through the larger center hole of the spring bar. Large diameter end of the spring fits over the lip of the large center hole in the spring bar. The spring will prevent the male gear (part #8) from meshing with the female gear (part #7).
- 9) Assemble retainer bar (part #9) to spring bar-female gear assembly. Place retainer bar on male gear, push and hold down with finger while lining up screw holes in retainer bar with pilot holes made in step 4. Continue holding down gear assembly with one finger while inserting screws in pilot holes and driving them in. Tighten both screws, being careful not to over tighten and strip out holes.
- 10) Remove pepper mill from vise or holder. Place wood pepper mill top (assembled with part #2, step #2 of instructions) on top of threaded shaft. Line up square hole with square shaft and push down. Place flinal nut (part #1) on threaded shaft and turn a few turns until flinal nut make contact with wood top. Pepper mill is now completely assembled, and at its most coarse adjustment setting for pepper.

To fill with pepper: Unscrew to-top flinal and remove the top. Fill the lower base of the mill with pepper. Replace the top and flinal nut.

To adjust grind: The top flinal nut has a convenient grind indicator that shows which way to turn for adjustment. Use thumb and forefinger, turn clockwise for a finer grind, and counter clockwise for a coarser grind.



Revisions	Part Name Mill Assembly	Chef Specialties Co. (814) 887-5652 411 West Water Street, Smethport, PA 16749	
1. Female Grinder 5-13-02	Material	Drawn J.P.C. Date 8-20-01 Drawing#	
	Tolerance (Unless Specified)	Checked Scale none	
	Fractional = +/- 1/64	Approved	
	Angle = +/- .5°		